



ISI-271THS

ISI-271SHS

DESCRIPTION

- Automatic self service machine
- Heat treatment: Pasteurization
- Defrost / Regeneration / Boiling functions
- Agitator
- Mix low & out sensors

SPECIFICATIONS

Type	ISI-271THS : Countertop ISI-271SHS : Floor
Flavors	Single Flavor
Cooling	Air Cooled
Electrical	208~230V / 60Hz / 1Ph
Hopper Capacity	13.0 qt (3.3 gallon)
Cylinder Capacity	2.9 qt (0.7 gallon)
Power Consumption	2.95 HP (2,200 W)
Max. Production	46.3 lbs/h
Consecutive Dispensing	8~10 cups / 3.5 oz
Compressor - Cylinder	1.5 HP x 1 (R404A)

ISI-271THS EXTERIOR

DIMENSION	MACHINE	SHIPPING
Width	15"	19"
Depth	33"	36"
Height	39"	45"
Weight	313 lbs	342 lbs

ISI-271SHS EXTERIOR

DIMENSION	MACHINE	SHIPPING
Width	15"	19"
Depth	33"	36"
Height	57"	64"
Weight	362 lbs	406 lbs

CERTIFICATIONS

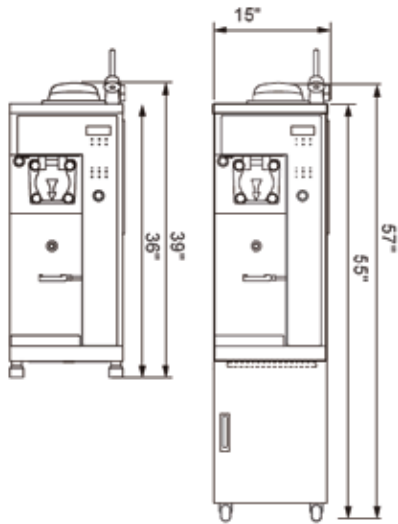


Design and specifications are subject to change without notice

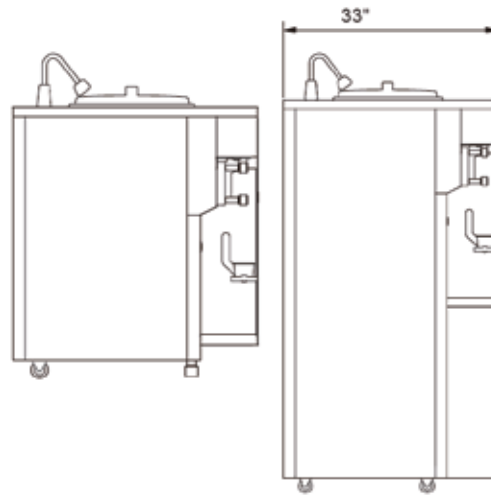
ISI-271THS / SHS

AUTOMATIC & SELF SERVE ICE CREAM MACHINE

PLAN VIEW



FRONT VIEW



SIDE VIEW



BACK VIEW

DETAIL VIEW



- Agitator
- Mix out & low sensor



- (a) Water supply hose for easy cleaning
- (b) Dispensing button
- (c) Cup or Cone detecting sensor
- (d) Cup or Cone holder

How To Enjoy



Place a cup or cone



Press the button



Take the ice cream and enjoy!



mccormackdistributing.com
1755 24th ST SW
Le Mars, IA 51031
1-800-383-5678

Design and specifications are subject to change without notice

